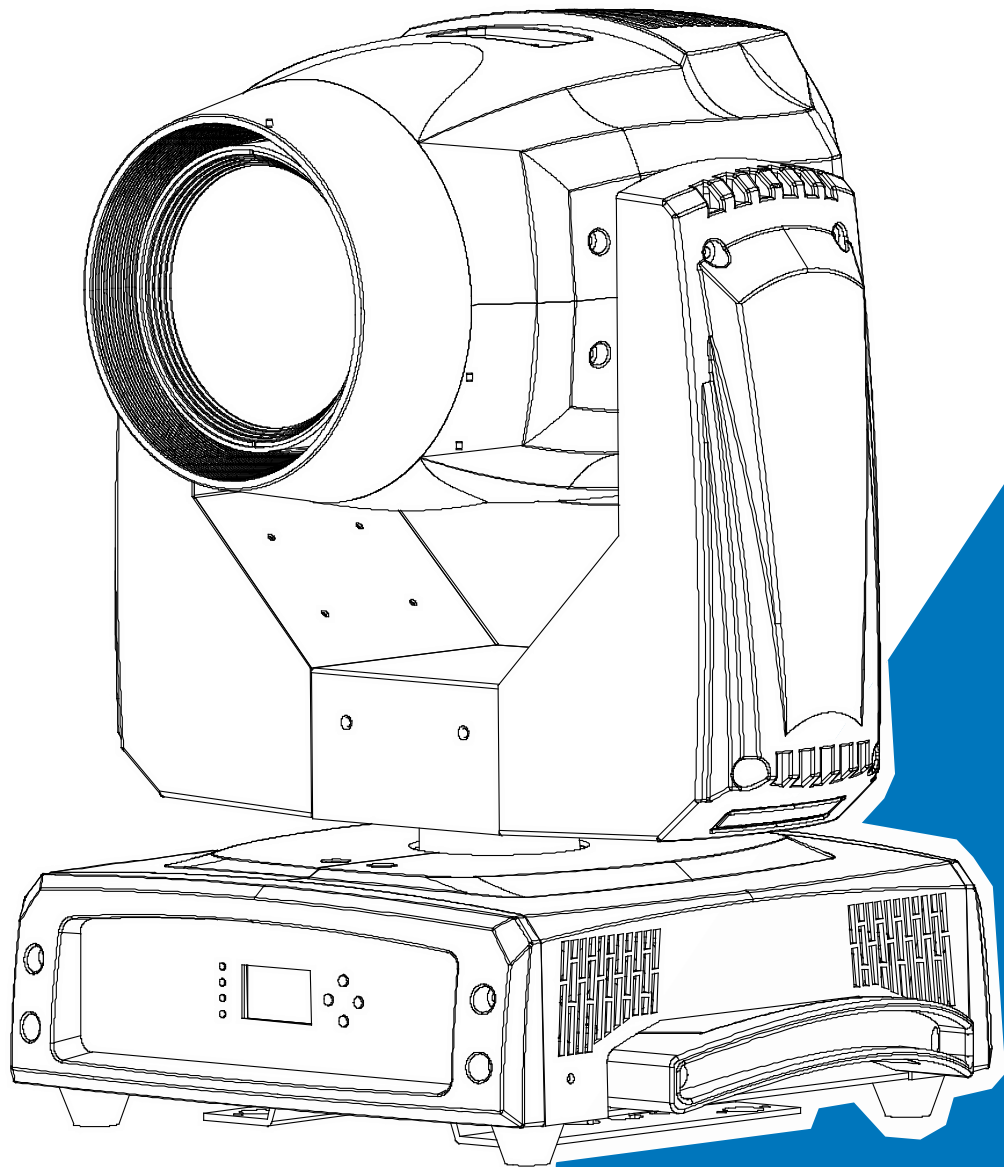


ACME[®]

ENERGY HYBRID



User Manual

Please read the instruction carefully before use

6.2 Address Setting

If you use a universal DMX controller to control the units, you have to set DMX address from 1 to 512 so that the units can receive DMX signal.

Press the MENU button to enter menu mode, select DMX Functions, press the ENTER button to confirm, use the UP/DOWN button to select DMX Address, press the ENTER button to confirm, the present address will blink in the display, use the UP/DOWN button to adjust the address from 001 to 512, press the ENTER button to store. Press the MENU button back to the last menu or let the unit idle 30 seconds to exit menu mode.

Please refer to the following diagram to address your DMX512 channel for the first 4 units.

Channel mode	Unit 1 Address	Unit 2 Address	Unit 3 Address	Unit 4 Address
16 channels	1	17	33	49
19 channels	1	20	39	58

6.3 DMX512 Configuration

Please control the fixture by referring to the configurations below

Attentions:

1. The unit will maintain the last condition until reset if you cut-off the DMX signal.
2. For the channel Function, keep the value for about 3 seconds, then the corresponding function will take into effect.

16 Channels (Mode 1):

CHANNEL	VALUE	FUNCTION
1	000-255	PAN 0°→540°
2	000-255	TILT 0°→240°
3	000-255	PAN/TILT SPEED Fast to Slow
4	000-007 008-063 064-127 128-191	SHOW MODE Null Show 1 Show 2 Show 3

	192-255	Show 4
5	000-007 008-015 016-023 024-031 032-039 040-047 048-055 056-064 065-127 128-189 190-193 194-255	COLOR Open Color 1 Color 2 Color 3 Color 4 Color 5 Color 6 Color 7 Color Index Clockwise Rotation, Fast to Slow Stop Counter-clockwise Rotation, Slow to Fast
6	000-006 007-013 014-020 021-027 028-034 035-041 042-048 049-055 056-062 063-069 070-083 084-087 088-092 093-097 098-102 103-107 108-112 113-117 118-122 123-127 128-189 190-193 194-255	GOBO 1 Open Gobo1 Gobo2 Gobo3 Gobo4 Gobo5 Gobo6 Gobo7 Gobo8 Gobo9 Open Gobo1 Shaking Gobo2 Shaking Gobo3 Shaking Gobo4 Shaking Gobo5 Shaking Gobo6 Shaking Gobo7 Shaking Gobo8 Shaking Gobo9 Shaking Counter-clockwise Rotation, Fast to Slow Stop Clockwise Rotation, Slow to Fast
7	000-010 011-021 022-032 033-043 044-054 055-065 066-076	GOBO 2 Open Gobo1 Gobo2 Gobo3 Gobo4 Gobo5 Gobo6

	077-087 088-092 093-097 098-102 103-107 108-112 113-117 118-122 123-127 128-189 190-193 194-255	Gobo7 Open Gobo1 Shaking Gobo2 Shaking Gobo3 Shaking Gobo4 Shaking Gobo5 Shaking Gobo6 Shaking Gobo7 Shaking Counter-clockwise Rotation, Fast to Slow Stop Clockwise Rotation, Slow to Fast
8	000-127 128-189 190-193 194-255	R-GOBO 2 Gobo Index Clockwise Rotation, Fast to Slow Stop Counter-clockwise Rotation, Slow to Fast
9	000-007 008-255	PRISM(6-facet prism) No Effect Prism Effect
10	000-127 128-189 190-193 194-255	R-PRISM Index Counter-clockwise Rotation, Fast to Slow Stop Clockwise Rotation, Slow to Fast
11	000-007 008-128 129-255	ANGLE/FROST Open Angle Frost
12	000-255	FOCUS 0%→100%
13	000-007 008-015 016-131 132-139 140-181 182-189 190-231 232-239 240-247 248-255	SHUTTER Close Open Strobe from Slow to Fast Open Slow Open Fast Close Open Slow Close Fast Open Open Random Strobe Open
14	000-255	DIMMER 0%→100%
15	000-009	FUNCTION Null

	010-019 020-029 030-069 070-079 080-089 090-099 100-109 110-119 120-129 130-139 140-149 150-159 160-199 200-209 230-255	Enable Auto Focus Disable Auto Focus Null Enable Blackout While Pan/Tilt Moving Disable Blackout While Pan/Tilt Moving Enable Blackout While Color Changing Disable Blackout While Color Changing Enable Blackout While Gobo Changing Disable Blackout While Gobo Changing Null Pan/Tilt Reset Effect Reset Null All Reset Null
16	000-063 064-127 128-191 192-255	AUTO FOCUS 5m 10m 15m Default to Unit

19 Channels (Mode 2):

CHANNEL	VALUE	FUNCTION
1	000-255	PAN 0°→540°
2	000-255	PAN FINE
3	000-255	TILT 0°→240°
4	000-255	TILT FINE
5	000-255	PAN/TILT SPEED Fast to Slow
6	000-007 008-063 064-127 128-191 192-255	SHOW MODE Null Show 1 Show 2 Show 3 Show 4
7	000-007 008-015 016-023 024-031	COLOR Open Color 1 Color 2 Color 3

	032-039 040-047 048-055 056-064 065-127 128-189 190-193 194-255	Color 4 Color 5 Color 6 Color 7 Color Index Clockwise Rotation, Fast to Slow Stop Counter-clockwise Rotation, Slow to Fast
8	000-006 007-013 014-020 021-027 028-034 035-041 042-048 049-055 056-062 063-069 070-083 084-087 088-092 093-097 098-102 103-107 108-112 113-117 118-122 123-127 128-189 190-193 194-255	GOBO 1 Open Gobo1 Gobo2 Gobo3 Gobo4 Gobo5 Gobo6 Gobo7 Gobo8 Gobo9 Open Gobo1 Shaking Gobo2 Shaking Gobo3 Shaking Gobo4 Shaking Gobo5 Shaking Gobo6 Shaking Gobo7 Shaking Gobo8 Shaking Gobo9 Shaking Counter-clockwise Rotation, Fast to Slow Stop Clockwise Rotation, Slow to Fast
9	000-010 011-021 022-032 033-043 044-054 055-065 066-076 077-087 088-092 093-097 098-102 103-107 108-112 113-117	GOBO 2 Open Gobo1 Gobo2 Gobo3 Gobo4 Gobo5 Gobo6 Gobo7 Open Gobo1 Shaking Gobo2 Shaking Gobo3 Shaking Gobo4 Shaking Gobo5 Shaking

	118-122 123-127 128-189 190-193 194-255	Gobo6 Shaking Gobo7 Shaking Counter-clockwise Rotation, Fast to Slow Stop Clockwise Rotation, Slow to Fast
10	000-127 128-189 190-193 194-255	R-GOBO 2 Gobo Index Clockwise Rotation, Fast to Slow Stop Counter-clockwise Rotation, Slow to Fast
11	000-007 008-255	PRISM(6-facet prism) No Effect Prism Effect
12	000-127 128-189 190-193 194-255	R-PRISM Index Counter-clockwise Rotation, Fast to Slow Stop Clockwise Rotation, Slow to Fast
13	000-007 008-128 129-255	ANGLE/FROST Open Angle Frost
14	000-255	FOCUS 0%→100%
15	000-007 008-015 016-131 132-139 140-181 182-189 190-231 232-239 240-247 248-255	SHUTTER Close Open Strobe from Slow to Fast Open Slow Open Fast Close Open Slow Close Fast Open Open Random Strobe Open
16	000-255	DIMMER 0%→100%
17	000-255	DIMMER FINE
18	000-009 010-019 020-029 030-069 070-079 080-089	FUNCTION Null Enable Auto Focus Disable Auto Focus Null Enable Blackout While Pan/Tilt Moving Disable Blackout While Pan/Tilt Moving

	090-099 100-109 110-119 120-129 130-139 140-149 150-159 160-199 200-209 230-255	Enable Blackout While Color Changing Disable Blackout While Color Changing Enable Blackout While Gobo Changing Disable Blackout While Gobo Changing Null Pan/Tilt Reset Effect Reset Null All Reset Null
19	000-063 064-127 128-191 192-255	AUTO FOCUS 5m 10m 15m Default to Unit

7. Troubleshooting

Following are a few common problems that may occur during operation. Here are some suggestions for troubleshooting:

A. The unit does not work, no light and the fan does not work

1. Check the connected power.
2. Measure the voltage.
3. Check the power indicator to see whether it can be lit up or not.

B. Not responding to the DMX controller

1. Check whether the DMX connectors and the DMX cables are connected correctly.
2. Check whether the DMX address is correctly set.
3. If the intermittent DMX signal problem occurs, check whether the XLR socket and the signal cable are well connected.
4. Try it with another DMX controller.
5. Check whether the DMX cables run near or alongside to the high-voltage cables, which may damage or interfere with the signal circuit.

C. One of the channels is not working well

1. The stepper motor might be damaged or the cable connected to the PCB might be broken.
2. The motor's drive IC on the PCB might be out of condition.