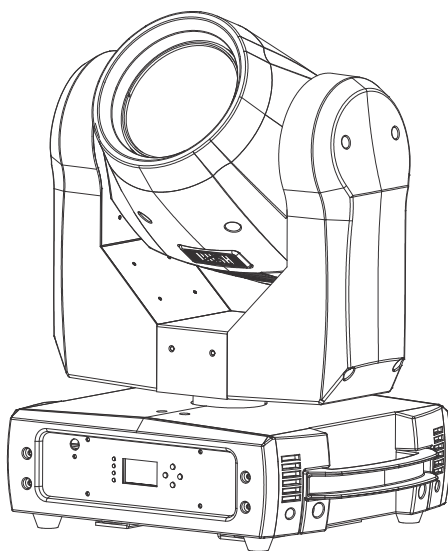


MH 3 Beam



User Manual



DMX protocol

Channel	Value	Function
1	0-255	Pan 0°~540°
2	0-255	Pan (fine control)
3	0-255	Tilt 0°~270°
4	0-255	Tilt (fine control)
5	0-255	Pan/tilt speed – fast-slow
6		Function
	0-29	No function
	30-39	Dimmer - conventional
	40-49	Dimmer - linear
	50-59	Pan/tilt - fast
	60-69	Pan/tilt - normal
	70-79	Blackout during pan & tilt
	80-89	Disable blackout during pan & tilt
	90-99	Blackout during color change
	100-109	Disable blackout during color change
	110-119	Blackout during gobo change
	120-129	Disable blackout during gobo change
	130-139	Lamp on
	140-149	Pan/tilt reset
	150-159	Color reset
	160-169	Gobo reset
	170-179	Shutter/prism/rotating prism reset
	180-189	No function
	190-199	Frost/focus/zoom reset
	200-209	Reset all
	210-219	Blackout during pan/tilt or color/gobo change
	220-229	Disable blackout during pan/tilt or color/gobo change
	230-239	Lamp off
	240-255	No function
7		Pan/tilt macros
	0-7	Off
	8-15	Macro 1
	16-23	Macro 2
	24-31	Macro 3
	32-39	Macro 4
	40-47	Macro 5
	48-55	Macro 6

Channel	Value	Function
7 (contd.)	56-63	Macro 7
	64-71	Macro 8
	72-79	Macro 9
	80-87	Macro 10
	88-95	Macro 11
	96-103	Macro 12
	104-111	Macro 13
	112-119	Macro 14
	120-127	Macro 15
	128-135	Macro 16
	136-143	Macro 17
	144-151	Macro 18
	152-159	Macro 19
	160-167	Macro 20
	168-175	Macro 21
	176-183	Macro 22
	184-191	Macro 23
	192-199	Macro 24
	200-207	Macro 25
	208-215	Macro 26
	216-223	Macro 27
224-231	Macro 28	
232-239	Macro 29	
240-247	Macro 30	
248-255	Macro 31	
8	0-255	Pan/tilt macro speed fast-slow
9		Color
	0-2	Open
	3-4	Split color
	5-6	Red
	7-8	Split color
	9-10	Yellow
	11-12	Split color
	13-14	Blue
	15-16	Split color
	17-18	Blue Green
	19-21	Split color
	22-23	Green
	24-25	Split color
26-27	Light blue	
28-29	Split color	

Channel	Value	Function
9 (contd.)	30-31	Light pink
	32-33	Split color
	34-35	Yellow green
	36-37	Split color
	38-39	Dark pink
	40-42	Split color
	43-44	Blue
	45-46	Split color
	47-48	Light yellow
	49-50	Split color
	51-52	Off white
	53-54	Split color
	55-56	Light blue
	57-58	Split color
	59-60	Dark blue
	61-63	Split color (with open)
	64-127	Color wheel indexing
128-189	Clockwise rotation, fast-slow	
190-193	Stop	
194-255	Counter-clockwise rotation, slow-fast	
10		Gobos
	0-3	Open
	4-6	Gobo 1
	7-9	Gobo 2
	10-12	Gobo 3
	13-15	Gobo 4
	16-18	Gobo 5
	19-21	Gobo 6
	22-24	Gobo 7
	25-27	Gobo 8
	28-30	Gobo 9
	31-33	Gobo 10
	34-36	Gobo 11
	37-39	Gobo 12
	40-42	Gobo 13
	43-45	Gobo 14
	46-48	Gobo 15
49-51	Gobo 16	
52-55	Gobo 17	
56-59	Open gobo shake	
60-63	Gobo 1 shake	

Channel	Value	Function
10 (contd.)	64-67	Gobo 2 shake
	68-71	Gobo 3 shake
	72-75	Gobo 4 shake
	76-79	Gobo 5 shake
	80-83	Gobo 6 shake
	84-87	Gobo 7 shake
	88-91	Gobo 8 shake
	92-95	Gobo 9 shake
	96-99	Gobo 10 shake
	100-103	Gobo 11 shake
	104-107	Gobo 12 shake
	108-111	Gobo 13 shake
	112-115	Gobo 14 shake
	116-119	Gobo 15 shake
	120-123	Gobo 16 shake
	124-127	Gobo 17 shake
128-189	Wheel rotation, counter-clockwise, fast-slow	
190-193	Stop	
194-255	Wheel rotation, clockwise, slow-fast	
11		Prism effects
	0-7	No function
	8-127	Prism effect
	128-132	Prism rotation effects 1
	133-137	Prism rotation effects 2
	138-141	Prism rotation effects 3
	142-146	Prism rotation effects 4
	147-150	Prism rotation effects 5
	151-155	Prism rotation effects 6
	156-159	Prism rotation effects 7
	160-164	Prism rotation effects 8
	165-168	Prism rotation effects 9
	169-173	Prism rotation effects 10
	174-177	Prism rotation effects 11
	178-182	Prism rotation effects 12
	183-187	Prism rotation effects 13
	188-191	Prism rotation effects 14
	192-196	Prism rotation effects 15
	197-200	Prism rotation effects 16
	201-205	Prism rotation effects 17
206-209	Prism rotation effects 18	
210-214	Prism rotation effects 19	

Channel	Value	Function
11 (contd.)	215-218	Prism rotation effects 20
	219-223	Prism rotation effects 21
	224-227	Prism rotation effects 22
	228-232	Prism rotation effects 23
	233-236	Prism rotation effects 24
	237-241	Prism rotation effects 25
	242-246	Prism rotation effects 26
	247-250	Prism rotation effects 27
	251-255	Prism rotation effects 28
12		Prism rotation (coarse control)
	0-127	Indexing
	128-189	Prism rotation, clockwise, fast-slow
	190-193	Stop
	194-255	Prism rotation, counter-clockwise, slow-fast
13	0-255	Prism rotation (fine control)
14	0-255	Zoom 0-100%
15	0-255	Focus – near-far
16	0-255	Frost 0-100%
17		Shutter
	0-7	Off
	8-15	Open
	16-131	Shutter strobe effect, slow-fast
	132-167	Fast close, slow open
	168-203	Slow close, fast open
	204-239	Pulse open and close
	240-247	Random shutter
	248-255	Open
18	0-255	Dimmer (coarse control) 0-100%
19	0-255	Dimmer (fine control)